

Rack shelf 10" 1U 150 mm / RS10-150-G

WIDTH (external)	254 mm
HEIGHT (external)	44,55 mm
DEPTH (external)	150 mm

Catalog number: 1957

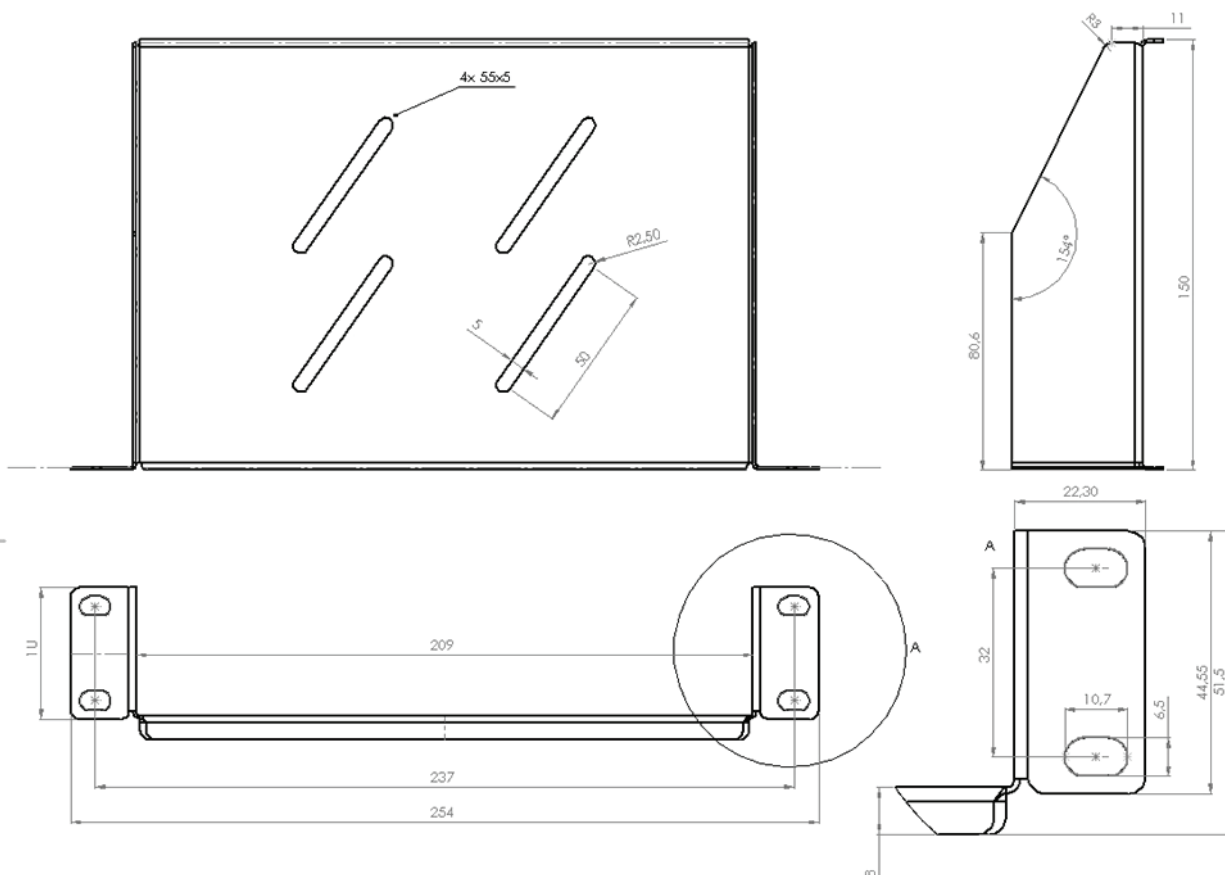
EAN code: 5907222250945



PRODUCT CONDITION: New product

TECHNICAL PARAMETERS

Color / Color code	GRAY / RAL 7035
Material	COLD ROLLED STEEL DC01 0,8 - 1,2 mm THICK
Dimension of the package	280 x 80 x 155 mm (width, height, depth)
Net weight / gross weight	0,28 kg / 0,35 kg
Usage	inwards, IP 20
Dedicated to	THE SPECIFICITY OF THIS RACK SHELF ALLOWS DEVICES WITHOUT MOUNTING BRACKETS TO BE INSTALLED IN A SUITABLE RACK CABINET. THE BOTTOM OF THE SHELF HAS OPENINGS, WHICH CAN BE USED FOR ADDITIONAL SECURITY TO DEVICES, BY USING CABLE TIES. IN ADDITION THEY DO NOT BLOCK THE AIR SUPPLY.
Comments	- MOUNTED TO THE FRONT RACK BRACKETS - A SET OF ASSEMBLY SCREWS INCLUDING BASKETS AND WASHERS INCLUDED - 4 PCS. - PRACTICAL HOLES FULFILLING THE FUNCTION OF A VENTILATION AND / OR ASSEMBLY FUNCTION



Dimensions given in tolerance +/- 4 mm