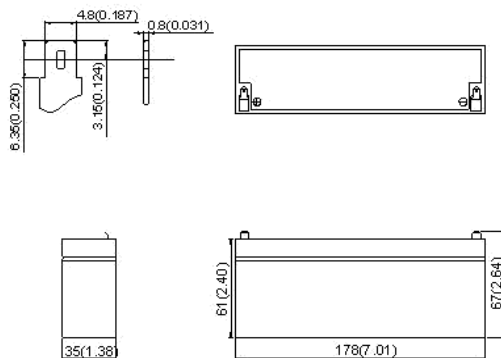


12V/2.2AH akumulátor



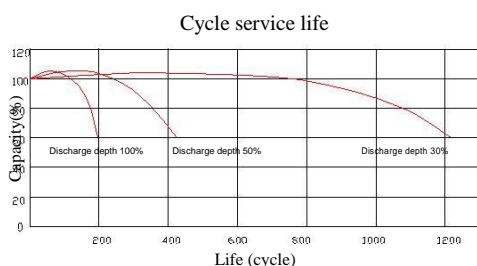
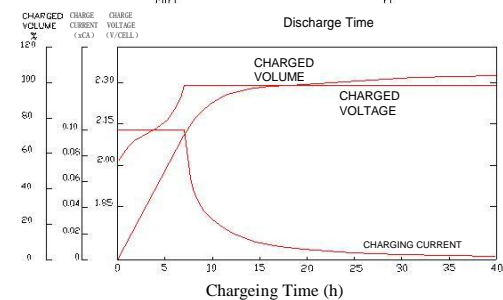
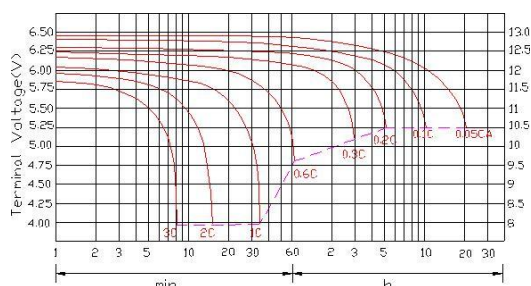
⌘ Specifications

Nominal Voltage		12V	
Rated Capacity		2.3Ah	
Dimensions	Total Height	2.64 inches	(67mm)
	Height	2.40 inches	(61mm)
	Length	7.01 inches	(178mm)
	Width	1.38 inches	(35mm)
Approximate Weight		2.16 lbs. (0.98kg)	

⌘ Characteristic

Capacity 77°F(25°C)	20h rate (0.115A)	2.3Ah
	10h rate (0.21A)	2.1Ah
	5h rate (0.37A)	1.96Ah
	1h rate (1.56A)	1.38Ah
	15 min rate (4.16A)	1.04Ah
Internal Resistance	Full Charged Battery 77°F(25°C)	65mΩ
Capacity Affected by Temperature (20h rate)	104°F(40°C)	102%
	77°F(25°C)	100%
	32°F(0°C)	85%
	5°F(-15°C)	65%
Self-Discharge 68°F(20°C) (Capacity after)	3 month storage	90%
	6 month storage	80%
	12 month storage	60%
Max. Discharge Current 77°F(25°C)	34.5A(5s)	
Terminal	T1	
Charge (Constant Voltage, 25°C)	Cycle	14.5~14.9V(-24mV/°C) max. current: 0.69 A
	Float	13.6~13.8V(-18mV/°C)

DISCHARGE CHARACTERISTICS AT 25°C(77°F)



Constant Current Discharge Characteristics (A, 25°C)

F.V/TIME	5min	10min	15min	30min	60min	3h	5h	10h	20h
9.60V	9.20	5.80	4.50	2.60	1.54	0.59	0.40	0.21	0.117
10.2V	8.74	5.51	4.32	2.50	1.48	0.58	0.39	0.2	0.116
10.5V	8.22	5.18	4.10	2.37	1.40	0.57	0.38	0.2	0.115

Constant Wattage Discharge Characteristics (Watt, 25°C)

F.V/TIME	5min	10min	15min	30min	60min	3h	5h	10h	20h
9.60V	103	65.4	51.3	29.8	17.8	6.99	4.73	2.67	1.34
10.2V	97.5	62.2	49.2	28.6	17.1	6.89	4.66	2.64	1.33
10.5V	91.7	58.4	46.8	27.2	16.3	6.75	4.56	2.66	1.32