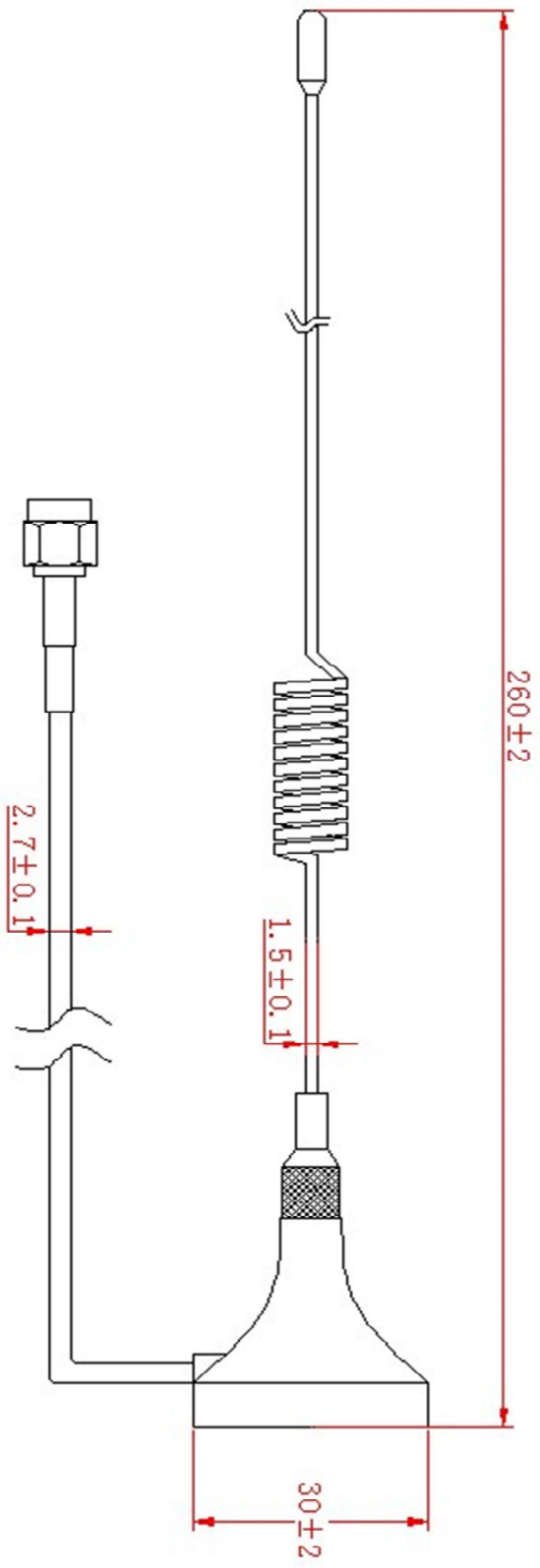

Magnetic Mount Antenna for 868Mhz Wireless RF Applications

Electrical Data

Frequency Range (MHz)	868+/-20
V. S. W. R	<=1.5
Input Impedance (Ω)	50
Max-power (W)	50
Gain(dBi)	3.50~4.0
Weight (g)	250
Height (mm)	260
Cable Length (CM)	100/300
Color	Black
Connector Type	SMA-J

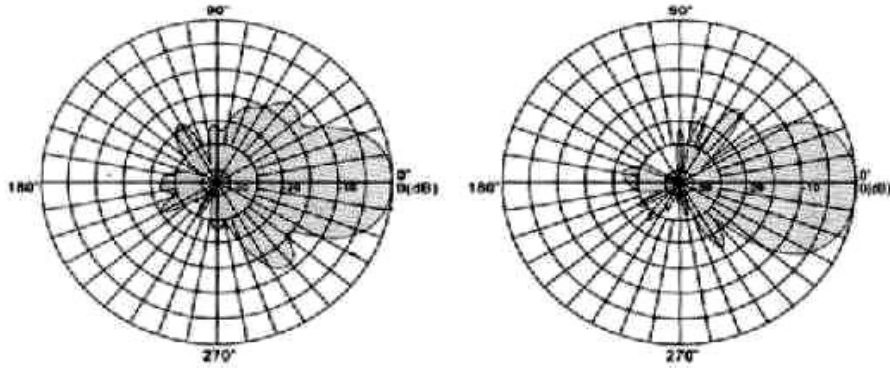


Drawing
Unit: mm



TQC-868-4.0A

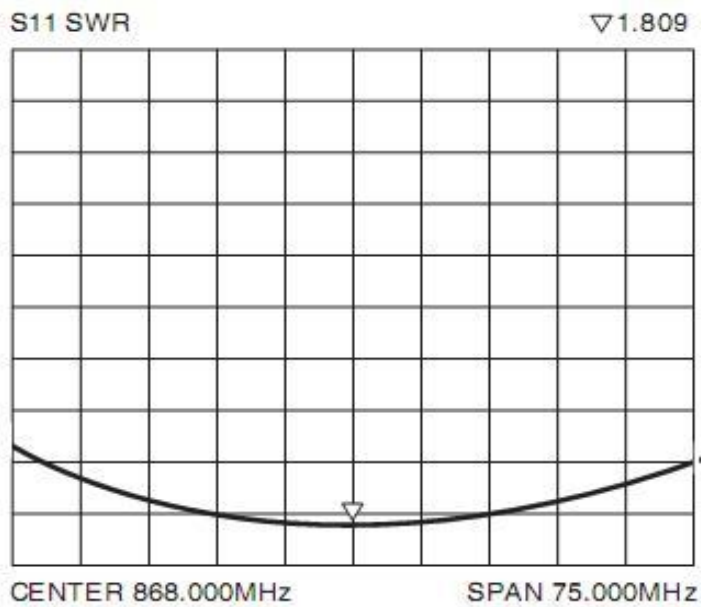
Pattern:



水平面方向图
Horizontal pattern

垂直面方向图
Vertical pattern

VSWR:



Typical VSWR