

## DS-1604ZJ

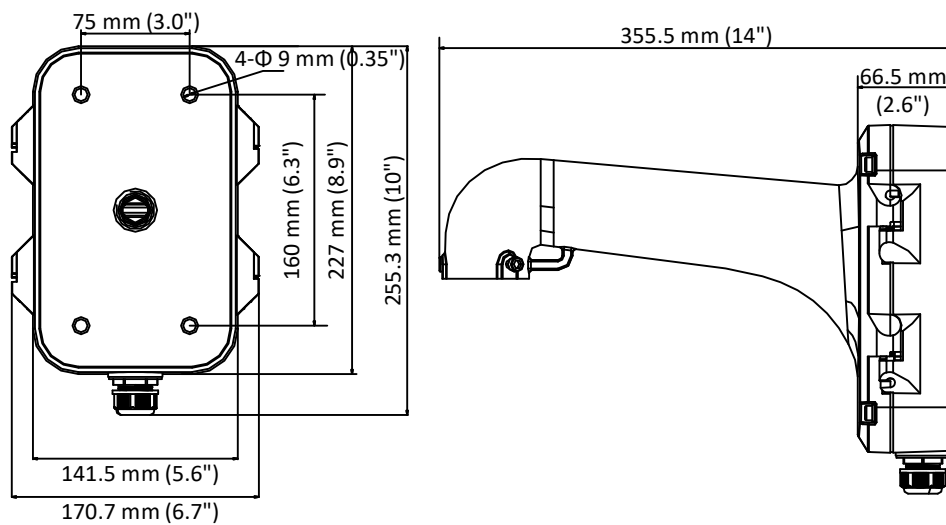
### Wall Mounting Bracket for Speed Dome



#### Feature

- Wall mounting bracket with the junction box
- Aluminum alloy material with surface spray treatment
- Waterproof design
- Junction box supports bottom outlet and back outlet
- The hook for safety rope facilitates speed dome's installation

#### Dimension



#### Available Model

DS-1604ZJ

#### Parameter

Model	DS-1604ZJ
Parameters	Wall Mounting Bracket for Speed Dome
Appearance	Hikvision White
Material	Aluminum Alloy
Dimension	355.5 mm × 255.3 mm × 170.7 mm (14" × 10" × 6.7")
Weight	2150 g (4.7 lb.)

#### Note

- The bracket should be installed on the flat surface.
- Waterproof rubber is necessary for the outdoor application.
- The wall must be capable of supporting at least 3 times as much as the total weight of the speed dome and the bracket.
- The bracket's maximum load capacity is 10 KG (22 lb.).