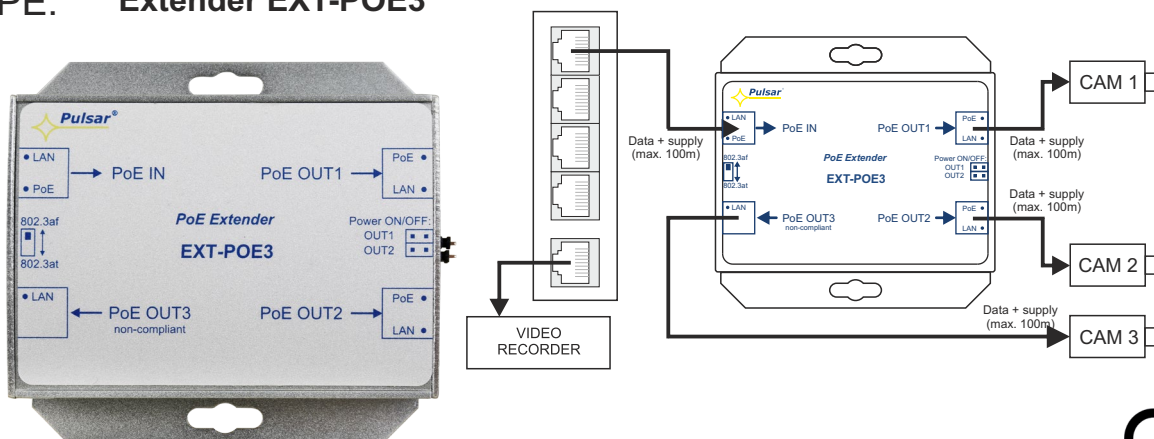


CODE: **EXT-POE3** v1.0/I
TYPE: **Extender EXT-POE3**

EN



Features of the power supply unit:

- The output voltage range 44-57VDC
- Power from PoE switch
- The PoE IN input compliant with the IEEE 802.3af/at standard
- The PoE OUT1/2 outputs compliant with the IEEE 802.3af/at standard (selectable by switch)
- The OUT3 PoE output – passive
- Increases Ethernet and PoE power range by 100 meters
- designed for 10Mbit/s and 100Mbit/s network
- The possibility to turn off power to the PoE OUT1 / 2 ports
- LED optical signalization
- protections:
 - surge protection (PoE input)
 - OLP overload protection
 - SCP short circuit protection
- warranty – 2 year from the production date

The **EXT-POE3 extender** is a device designed to increase the PoE and Ethernet range by additional 100 meters using UTP Cat. 5/5e cable. The Extender can be powered using a PoE switch or another PoE-compliant device (PoE IN input). The output voltage and data are available at the PoE OUT1, PoE OUT2, PoE OUT3 outputs designed for connecting cameras or other IP devices using PoE power supply. The maximum load current is 0,6A (see Tab.1). The PoE OUT1, PoE OUT2, PoE OUT3 ports are supplied over 4/5 (+) and 7/8 (-) pairs, which, according to the Ethernet standard, are not used for data transmission (data transmission uses 1/2 and 3/6 twisted pairs).

TECHNICAL DATA

Supply voltage	compliant with 802.3af/at / (44 ÷ 57VDC)
Current consumption by PSU systems	<30mA
Module power	30W max.
Output voltage	applying power
Output current	0,6A ports PoE OUT1/2, 0,3A port PoE OUT3 (Σ=0,6A max.)
The PoE IN input power supply pairs	1/2 (+) 3/6(-) 4/5 (+) 7/8 (-)
The PoE OUT1/2 output power supply pairs	4/5 (+) 7/8 (-)
Overload protection OLP Short circuit protection SCP	PoE OUT1/2: 150% ÷ 200% of nominal output current, automatic recovery PoE OUT3: PTC 0,5A, polymer fuse
LED operation indication	Yellow LAN LED - indicating the LAN connection status Green PoE LED - presence of input/output voltage
Operation conditions	II environmental class, -10°C+40°C
Dimensions (LxWxH)	81 x 77 x 26 [mm]
Mounting	mounting screws x2 (holes Ø 6mm)
Connectors: - IN/OUT PoE	RJ45 8P8C
Net/gross weight	0,11kg / 0,15kg
Storage temperature	-20°C...+60°C
Declarations, warranty	CE, RoHS, 2 years from the production date